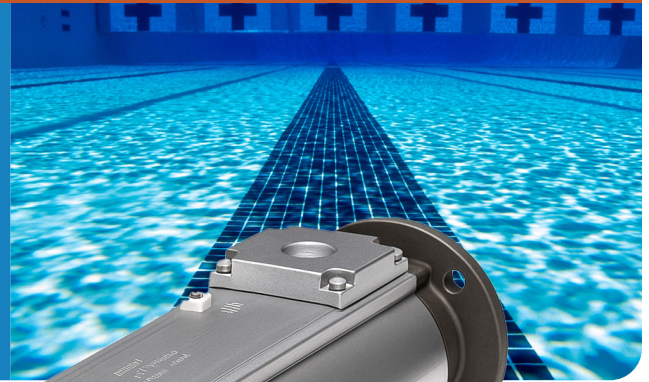




POOL AND SPA HEAT EXCHANGERS

NOT TOO HOT, NOT TOO COLD, JUST THE RIGHT TEMPS FOR YOUR POOL



Shell & Tube Design with Rubber Headers

Multiple Sizes & Fitting Options

UV & Chemical Resistant CPVC Flanges

Universal Mounting Rail

Anodized 6063 T5 Aluminum Shell

KEY FEATURES & ADVANTAGES

Isolate boiler from exposure to treated water
prolong boiler and plumbing life and reduce total system maintenance costs

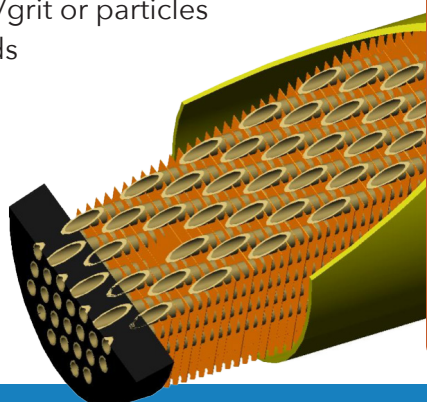
High corrosion resistance to treated water
prolongs cooler life and reduces cooler maintenance cost

High heat transfer efficiency, compact cooler size
Easy to be packaged to a limited space

Advantages over plate coolers

- Longer life and can be easily cleaned/serviced
- Will not foul with sand/grit or particles in pool or heating fluids

Variety of sizes
Can be tailored to fit different applications



TECHNICAL SPECIFICATIONS

Tube Cores	CuNi (90/10), Ti
Shell	Extruded 6063 T5 Anodized Aluminum
Headers	Rubber Construction, Compression Fit
Flanges	UV & Chemical Resistant CPVC
Passes	Robust 1 Pass Design
Sizes	4in and 6in diameter, varying length and flange/adaptor options

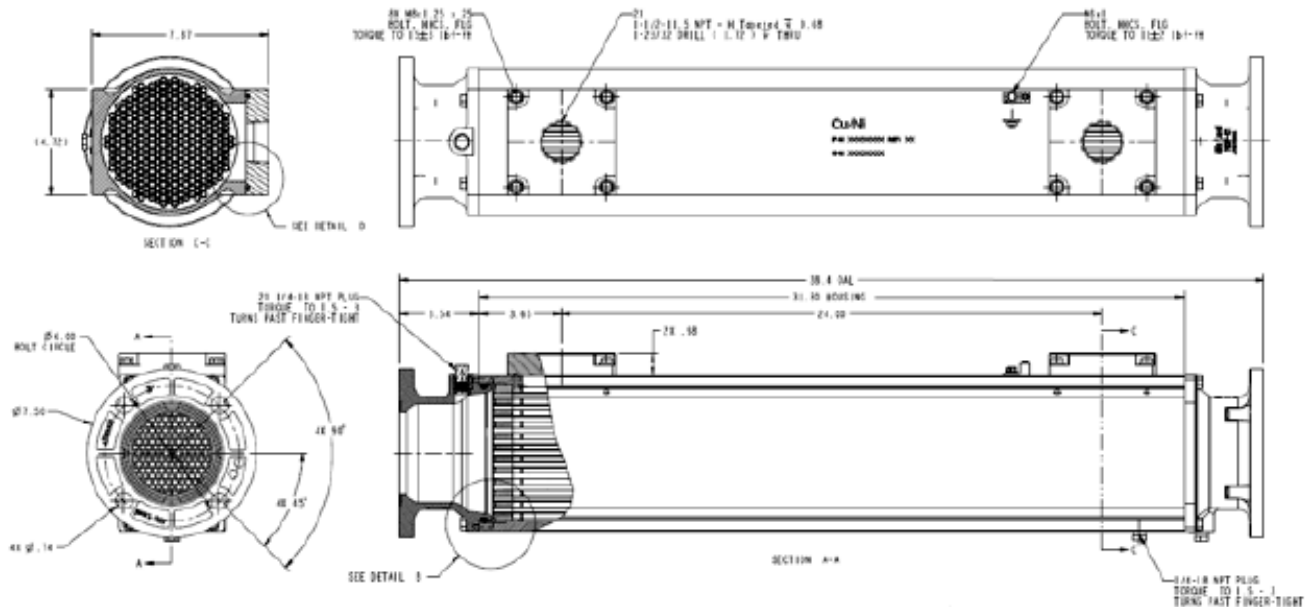
TSM Rubber Tube Sheet (RTS) Technology

- Cooling core is press fit into rubber headers with 200°C (400°F) performance rating
- Higher reliability and corrosion resistance than brazed heat exchangers
- RTS design can handle large temperature swings and environmental shock or vibration far better than brazed shell or plate coolers

Ready to upgrade? Let's talk specs and savings—call now to speak with an expert

Built to Outperform and Outlast

Engineered for maximum heat transfer and minimal maintenance



4" Spa Models

- Tube Bundle 4" X 18" long
- CuNi or Ti core options
- 2.5" X 4" Fittings Standard

6" Models

- Tube Bundle: 6" x 28" long
- CuNi or Ti core options
- 2" X 3", 2.5" X 4" and 3" x 6" Standard Fitting options

* Mechanical drawing of 4" spa model

SPECIFICATIONS

Mechanical

- Burst strength: tube side: 130 PSI; shell side: 360 PSI
- Mechanical fatigue: tube side: 45 PSI; shell side: 100 PSI
- Normal design pressure: Tube side: 45 PSI
- CuNi or Ti all components in liquid contact

Size & Performance - 6" Model

- 6" x 28" (cooling core size)
- Overall heat transfer: validated up to 1,300,400 BTU/hr (380 kW)
- Pool water flow rate: validated up to 365 GPM (1,375 LPM)

Size & Performance - 4" Model

- 4" x 18" (cooling core size)
- Overall heat transfer: validated up to 440,580 BTU/hr (129 kW)
- Pool water flow rate: validated up to 100 GPM (380 LPM)



1-800-799-7237 • tsmus.com

CONTACT US TODAY to get a quote or custom recommendation for your next pool system upgrade

TSM Thermal Solutions Manufacturing, Inc.