

CIR ORDER FORM

APPLICATION

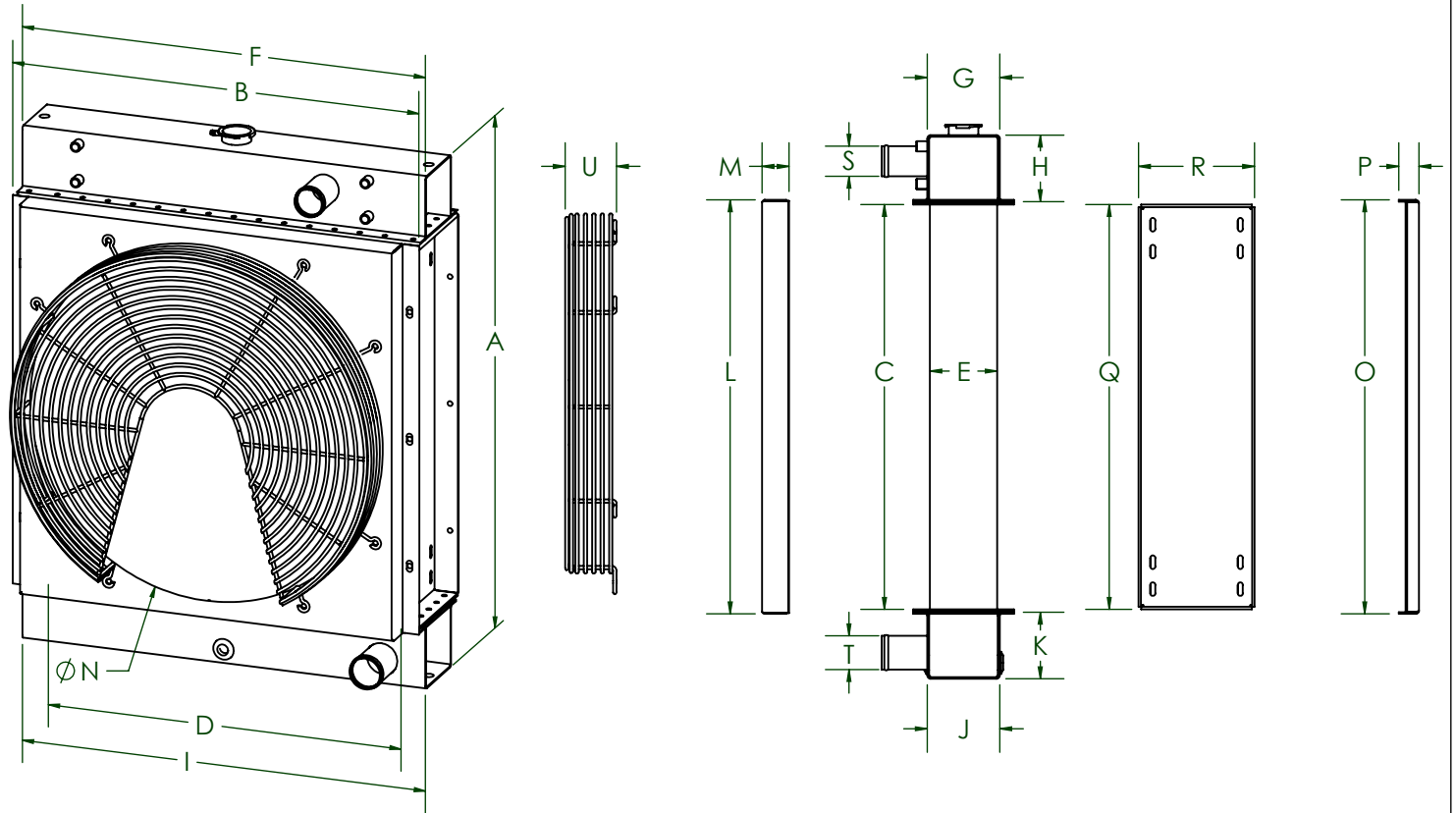
- RADIATOR
 CAC
 OIL COOLER

MATERIAL CONSTRUCTION

- COPPER BRASS
 ALUMINUM

REQUESTED MEDIA

- DRAWINGS
 PICTURES
 VIDEO
 SAMPLE



COMPANY NAME:		CUSTOMER NAME:				DATE:	
COMPLETE UNIT	ENTER SIZE	CORE	ENTER SIZE	TOP TANK	ENTER SIZE	BOTTOM TANK	ENTER SIZE
A=OVERALL HEIGHT		C=CORE HEIGHT		F=LENGTH		I=LENGTH	
B=OVERALL WIDTH		D=CORE WIDTH		G=WIDTH		J=WIDTH	
		E=CORE DEPTH		H=HEIGHT		K=HEIGHT	
SHROUD	ENTER SIZE	GRILL	ENTER SIZE	SIDE COLUMN	ENTER SIZE	OTHER	ENTER SIZE
L=HEIGHT		O=HEIGHT		Q=HEIGHT		S=INLET	
M=DEPTH		P=DEPTH		R=WIDTH		T=OUTLET	
N=FAN OPENING						U=GUARD DEPTH	
PROTECTION	HEADER TYPE	CORE DETAILS		APPLICATION DETAILS			
<input type="checkbox"/> PAINT	<input type="checkbox"/> FLANGE	FIN TYPE		USED ON			
<input type="checkbox"/> POWDERCOAT	<input type="checkbox"/> BOLT ON	FINS PER INCH		MAKE			
<input type="checkbox"/> GALVANIZE	<input type="checkbox"/> BAR	TUBE SIZE		UNIT			
<input type="checkbox"/> SOLDER COATED CORE		NUMBER OF ROWS		OE PART #			