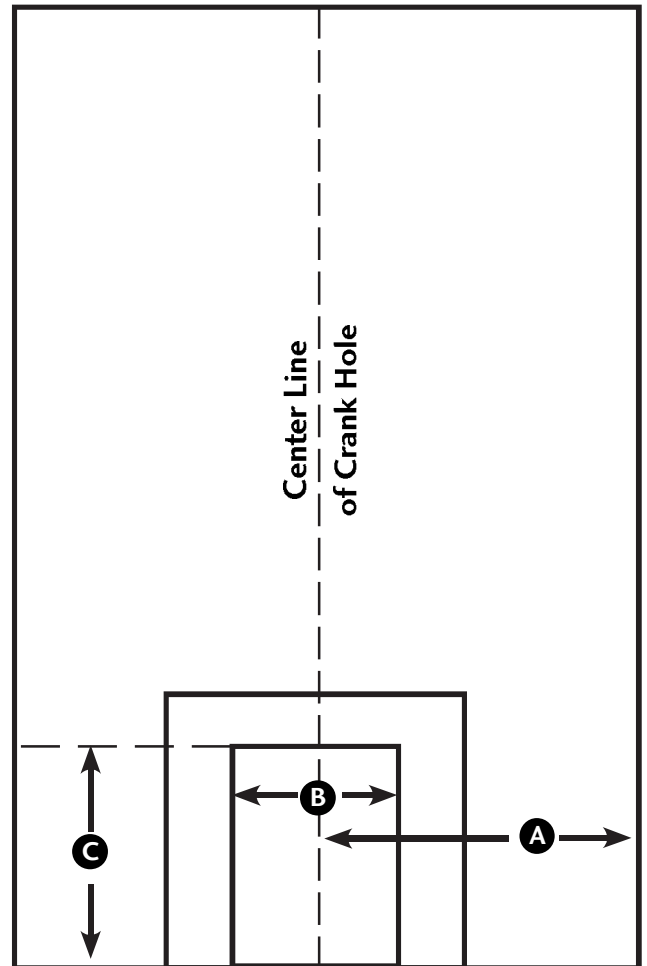
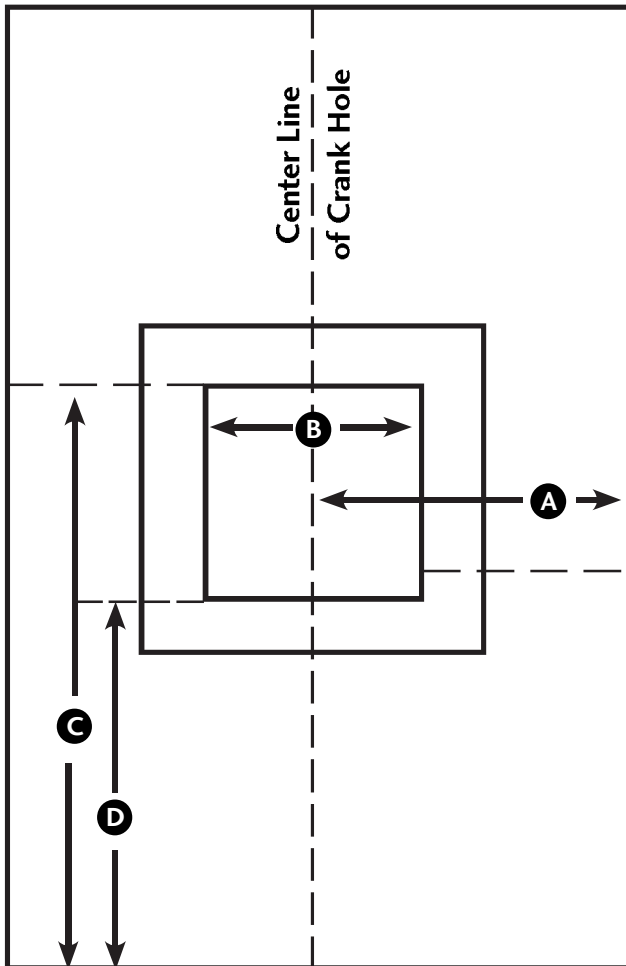


Crank Box Measuring Guide

Use these diagrams for measuring view from fan side of core



- A. Center line of crank box to side of core
- B. Width of box
- C. Top of box to bottom of header
- D. Bottom of box to bottom of header